

TRUCK GUARDIAN PRO

SISTEMA PROFESSIONALE DI SORVEGLIANZA E REGISTRAZIONE PER CAMION
DVR AND SURVEILLANCE PROFESSIONAL SYSTEM FOR TRUCKS
PROFESSIONELLES ÜBERWACHUNGS- UND AUFZEICHNUNGSSYSTEM FÜR LKW

- MANUALE D'USO
- INSTRUCTION GUIDE
- ANLEITUNG



MIDLAND[®]

About this Guide

The content in this document is for information purpose and is subject to change without prior notice.

We made every effort to ensure that this User Guide is accurate and complete. However, no liability is assumed for any errors and omissions that may have occurred.

MIDLAND refuses any liability:

- in the event of loss or accidental breakage caused by the failure or breakage of the fixing supports;
- in case of any possible damage caused by such failure or breakage.

The manufacturer reserves the right to change the technical specifications without prior notice.

Keep this user manual for further reference.

Warnings

- Do not expose Monitor to extreme temperature. Storage temperature is $-30\div 80^{\circ}\text{C}$, working temperature is $-20\div 70^{\circ}\text{C}$
- Do not use the Monitor with excessive moisture, dust or smoke.
- Do not use the Monitor with excessive vibrations, shock or falls.
- Do not puncture, scratch or use abrasive cleaning products.
- Install the wires in way they cannot be ripped or make you falling down
- Leave at least 5cm space behind the Monitor
- Monitor is not waterproof
- The system can be powered 12 or 24 V
- To clean the camera do not use thrill chemical substances or clean solvents, but only a moist soft cloth.
- At the end of its life, do not discard the system randomly and do not throw it into the fire, it may explode.

- Due to local laws and vehicles safety considerations, do not manually operate the device while driving.

This camera is intended for non-commercial use, within the limits permitted by applicable law.

WARNING

Monitor works with high voltage inside. Opening and repairing has to be done by professional and authorised technicians. Any opening or modification will void the warranty.



Monitor features

- Operating frequency: 2.4GHz
- Wireless up to 200m
- 12 or 24V power supply
- 7" TFT LCD HD Monitor
- Cycle recording
- Rotate, flip or mirror the image (depending on how the camera is installed)
- Full screen, split screen or auto toggle between channels
- Auto pairing with camera
- Up to 4 cameras contemporary viewing and recording
- Supports SD cards up to 128GB
- Input voltage: 10 to 30V

Camera Features

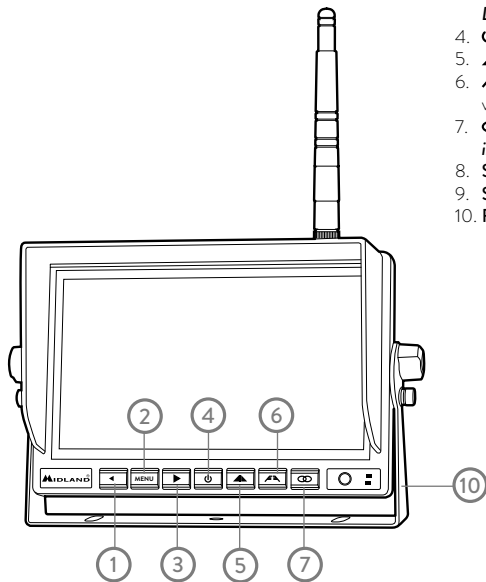
- Operating frequency: 2.4GHz
- 100° viewing angle
- 18 IR leds for night vision
- IP69K certification
- Auto pairing with monitor

Box content

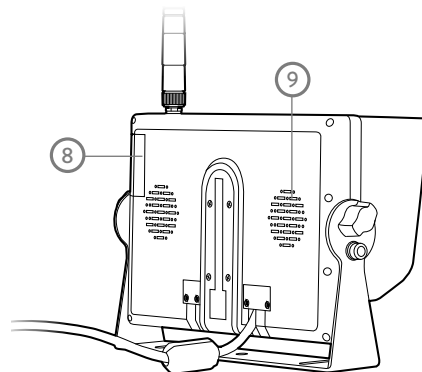
- Wi-fi Monitor
- Wi-fi Camera
- N°2 Wi-fi antennas (1 for monitor + 1 for camera)
- Sunshade protections
- Mounting bracket and fixing screws
- Double-sided tape
- Allen wrench

System description

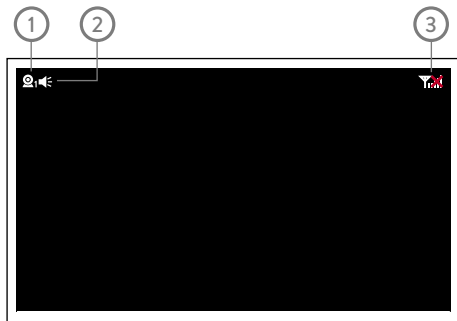
Monitor



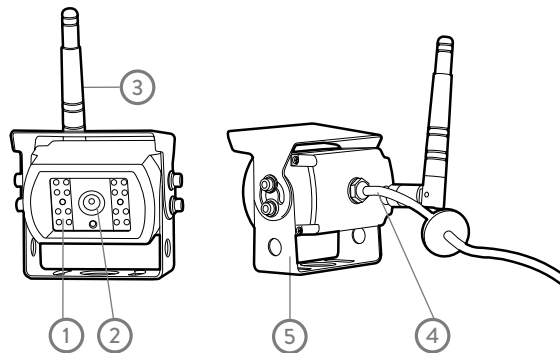
1. ◀ **Short press:** scrolls the menu to the left and decreases the values of the selected functions. **Long press:** selects the display mode of the camera (1, 1-2, 1-2-3-4)
2. **MENU.** **Short press:** enters or exits the menu. **Long press:** adjusts the volume / brightness / contrast / color (to switch from one function to the other, shortly press the **MENU** button).
3. ▶ **Short press:** scrolls the menu to the right and increases the values of the selected functions. In **photo mode**, it captures a single photo. In **Manual Record** mode it starts/stops the recording. **Long press:** it selects the camera from which you want to listen to the audio.
4. ⏻ Press to turn on/off the device.
5. ▲ **Flip.** Press to flip the visualization.
6. 📶 Press to activate/deactivate the guidelines, which are useful while are you are parking your vehicle.
7. Ⓞ **Ok/pairing confirmation.** **Short press:** selects the camera you want to monitor. **Short press inside the menu:** confirms the selected function/value. **Long press:** starts pairing.
8. **SD card**
9. **Speaker**
10. **Fixing bracket**



Display Symbol



Camera



1. Number of the camera
2. This icon indicates from which camera you hear the audio
3. Signal strength of the camera

1. **18 IR Leds**
2. **Lens**
3. **Antenna**
4. **Power supply cable**
5. **Mounting bracket**

Kit setup

1. Connect the monitor's power supply cable to the cigarette lighter plug.
2. Press the **⏻** button to turn on the camera.
3. Now it's possible to view the images

Optional camera setup

If you want to install optional cameras, at first they have to be paired with the monitor, follow these steps:

1. Select a free channel (no camera paired)
2. Press shortly **⏻** to select the number of the camera that you want to pair.
3. Keep pressed **⏻** to start the pairing. Turn on the camera before the timer expires

Quick use

1. Insert the SD card (if you are interested in recording the images).
2. Turn **ON** monitor and camera to start viewing images. (***REC** symbol will appear). The recording will automatically start.
3. Press **⏻** button to change the camera view on the monitor.
4. Press **MENU** button to open menu and change settings.

Menu

Push **MENU** button, you will find the following options:

CAMERAS

SETTINGS

RECORD

PLAYBACK

1. Use **◀** and **▶** buttons to scroll the menu items.
2. Press **⏻** button to enter menu items and confirm.
3. Press **MENU** button to exit.

CAMERAS

- This feature allows to add or remove the connection to the cameras installed in the system.

SETTINGS

- **Calendar:** allows to set date and time.
- **Date Stamp:** allows to indicate date and time on the video.
- **Default settings:** in this mode, the device will make a reset and will be restored to the values set in factory.
- **Card format:** to format the memory card.

▲ FLIP FEATURE

- **Normal:** image is normal
- **Mirror:** image is horizontally mirrored
- **Flip:** image is 180° rotated
- **Mir-Flip:** image is 180° rotated and mirrored

Troubleshooting

| Problem | Possible Solution |
|--------------------------------------|---|
| No image | Verify the good connection of the monitor's power cable |
| No signal | Verify the good connection of the camera's power cable |
| No audio | Verify the monitor volume is turned on |
| Dark/pale image or bad colour | Set correct contrast, brightness and hue of the image |

Monitor Technical Specs

| | |
|----------------------|-----------------------|
| LCD | 7" (16:9) IPS Display |
| Monitor Resolution | 1024 RGB x 600 |
| Video Resolution | HD |
| Contrast | 500:1 |
| Brightness | 500cd/m2 |
| Channels | 4 |
| Working Frequency | 2400 – 2483.5 MHz |
| Receiver Sensitivity | -89dBm |
| Compression | H264 |
| Tx Power | 17dBm (50mW) |
| Modulation | 2.4G FSK/GFSK |
| Delay | 120ms |
| Tx Distance | 200 m |
| SD Card | Fino a 128GB |
| Video | PAL/NTSC |
| Power Supply | 12-30V |
| Power Consumption | <3W |
| Working Temperature | -20 / +70°C |
| Stocking Temperature | -30 / +80 °C |
| Size | 180X120X18mm |

Camera Technical Specs

| | |
|----------------------|--------------|
| Sensor | 1/2.7" CMOS |
| Resolution | 1280x720 |
| View Angle | 100 |
| IP Protection | IP69K |
| Night Vision | 18 led IR |
| Tx Distance | 200 m |
| Working Temperature | -20 / +70°C |
| Stocking Temperature | -30 / +80 °C |
| Size | 72x42x52mm |

Specifications may vary without prior notice.

To download further updates and for information about the warranty please visit www.midlandeurope.com

Prodotto o importato da: **MIDLAND EUROPE srl**

Via. R.Sevardi 7 42124 Reggio Emilia - Italia.

Prima dell'uso leggere attentamente le istruzioni.

Produced or imported by: **MIDLAND EUROPE srl**

Via. R.Sevardi 7 42124 Reggio Emilia - Italy.

Read the instructions carefully before installation and use.

Vertrieb durch: **ALAN ELECTRONICS GmbH**

Daimlerstraße 1g - D-63303 Dreieich Deutschland.

Vor Benutzung Bedienungsanleitung beachten.

Importado por: **MIDLAND IBERIA, SA**

C/Cobalt, 48 - 08940 Cornellà de Llobregat, Barcelona - España.

Antes de utilizar, lea atentamente el manual de uso.

Importé par: **ALAN FRANCE S.A.R.L.**

10 impasse Phytagore - 13127 Vitrolles - France

Avant l'utilisation, lire les instructions.



RoHS
Compliant

MIDLAND®